

Filters

Filters
Filtres

Filter in lijn (Huis)



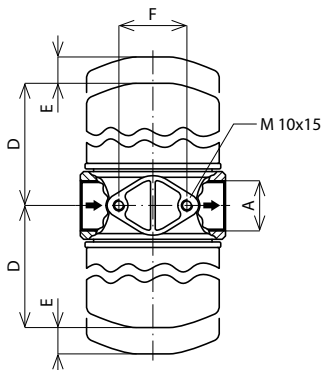
In line filter housing
Filtre en ligne (Tête)

Part n°	THREAD	CARTRIDGE	€
FA-1-10/11-A	3/4" BSP	SPA-1-10 - SPA-1-11	29,25
FA-1-20/21-A	1"1/4 BSP	SPA-1-20 - SPA-1-21	41,77
FA-1-30/31-A	1"1/2 BSP	SPA-1-20 - SPA-1-21	97,42
FA-1-40/41-A	1"1/2 BSP	SPA-1-20 - SPA-1-21	322,52
FA-1-10/11-R	3/4" BSP	SPA-1-10 - SPA-1-11	29,25
FA-1-20/21-R	1"1/4 BSP	SPA-1-20 - SPA-1-21	42,25
FA-1-30/31-R	1"1/2 BSP	SPA-1-20 - SPA-1-21	97,42
FA-1-40/41-R	1"1/2 BSP	SPA-1-20 - SPA-1-21	322,52

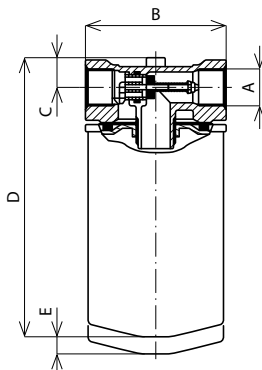
"A"=Aanzuig; "R"=Retour / "A"=Inlet; "R"=Return / "A"=Aspiration; "R"=Retour



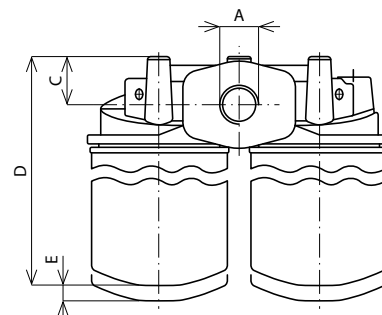
FA-1-30/31



FA-1-10/11/20/21



FA-1-40/41



Filters

Filters
Filtres

Filter in lijn (elementen)



In line filter element
Filtre en ligne (Cartouche)

Part n°	SIZE	FILTRATION DEGREE	€
SPA-1-10-C10	10	10 μ	19,40
SPA-1-11-C10	11	10 μ	26,99
SPA-1-20-C10	20	10 μ	31,30
SPA-1-21-C10	21	10 μ	47,03
SPA-1-10-C25	10	25 μ	19,40
SPA-1-11-C25	11	25 μ	28,30
SPA-1-20-C25	20	25 μ	31,30
SPA-1-21-C25	21	25 μ	47,03
SPA-1-10-T60	10	60 μ	46,83
SPA-1-11-T60	11	60 μ	67,97
SPA-1-20-T60	20	60 μ	87,34
SPA-1-21-T60	21	60 μ	105,32
SPA-1-10-T125	10	125 μ	37,27
SPA-1-11-T125	11	125 μ	56,04
SPA-1-20-T125	20	125 μ	69,67
SPA-1-21-T125	21	125 μ	87,54

Retourfilter inbouw (huis)



Submerged return filter housing
Tête filtre retour semi-immersé

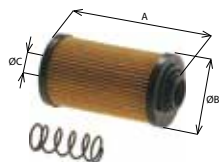
Part n° Referencia	THREAD ROSCA	SIZE TAMAÑO	CARTRIDGE CARTUCHO	€
FR1-10	1/2" BSP M6	10	R-1-10	26,22
FR1-20	1/2" BSP M8	20	R-1-20	38,89
FR1-21	3/4" BSP M8	21	R-1-20	38,89
FR1-22	3/4" BSP M8	22	R-1-22	39,06
FR1-23	1" BSP M8	23	R-1-22	39,06
FR1-40	1" BSP M10	40	R-1-40	87,84
FR1-41	1"1/4 BSP M10	41	R-1-40	87,84
FR1-50	1"1/4 BSP M10	50	R-1-50	158,19
FR1-51	1"1/2 BSP M10	51	R-1-51	176,32
FR1-52 *	1"1/2 BSP M10	52	R-1-50	152,11
FR1-60	1"1/2 BSP M10	60	R-1-60	172,48
FR1-61	2" BSP M10	61	R-1-60	172,48
FR1-64	2" BSP M10	64	R-1-64	172,48

Filters

Filters

Filtres

Retourfilters (elementen)



Submerged return filter element
Cartouche filtre retour semi-immergé

Part n°	SIZE	A	ØB	ØC	FILTRATION DEGREE	€
R-1-10-C10-B	10	76	50	25	10 µ	9,96
R-1-20-C10-B	20	86	70	29	10 µ	11,70
R-1-22-C10-B	22	136	70	29	10 µ	13,04
R-1-30-C10-B	30	211,5	70	40,5	10 µ	15,69
R-1-40-C10-B	40	214	99	41	10 µ	19,76
R-1-50-C10-B	50	150	130	51	10 µ	22,49
R-1-51-C10-B	51	209	130	52	10 µ	26,04
R-1-60-C10-B	60	209	130	65	10 µ	25,02
R-1-64-C10-B	64	259	130	65	10 µ	34,78
R-1-65-C10-B	65	280	130	65	10 µ	53,95
R-1-10-C25-B	10	76	50	25	25 µ	9,96
R-1-20-C25-B	20	86	70	29	25 µ	11,70
R-1-22-C25-B	22	136	70	29	25 µ	13,04
R-1-40-C25-B	40	214	99	41	25 µ	19,76
R-1-50-C25-B	50	150	130	51	25 µ	22,49
R-1-51-C25-B	51	209	130	52	25 µ	26,04
R-1-60-C25-B	60	209	130	65	25 µ	25,02
R-1-64-C25-B	64	259	130	65	25 µ	34,78
R-1-65-C25-B	65	280	130	65	25 µ	53,95
R-1-66-C25-B	66	404	130	64,5	25 µ	54,70
R-1-10-T60-B	10	76	50	25	60 µ	13,79
R-1-20-T60-B	20	86	70	29	60 µ	19,05
R-1-22-T60-B	22	136	70	29	60 µ	28,10
R-1-40-T60-B	40	214	99	41	60 µ	47,11
R-1-50-T60-B	50	150	130	51	60 µ	48,57
R-1-51-T60-B	51	209	130	52	60 µ	61,87
R-1-60-T60-B	60	209	130	65	60 µ	58,29
R-1-64-T60-B	64	259	130	65	60 µ	71,57
R-1-65-T60-B	65	280	130	65	60 µ	95,05
R-1-10-T125-B	10	76	50	25	125 µ	12,61
R-1-20-T125-B	20	86	70	29	125 µ	15,49
R-1-22-T125-B	22	136	70	29	125 µ	19,33
R-1-40-T125-B	40	214	99	41	125 µ	33,24
R-1-50-T125-B	50	150	130	51	125 µ	35,96
R-1-51-T125-B	51	209	130	52	125 µ	43,59
R-1-60-T125-B	60	209	130	65	125 µ	44,14
R-1-64-T125-B	64	259	130	65	125 µ	48,97
R-1-65-T125-B	65	280	130	65	125 µ	66,13
R-1-60-G10-B	60	209	130	65	10 µ	51,77
R-1-66-G25-B	66	404	130	64,5	25 µ	90,42

Type C: Papier Type T : metaal; Type G: organisch fiber / Type C: Paper Type T wire mesh; Type G: inorganic fiber / Type C: Papier Type T maille métallique; Type G: fibre inorganique

Filters

Filters
Filtres

Aanzuigfilter 125 micron

Submerged suction filters 125 μ
Crépines d'aspiration sumergés 125 μ



Part n°	THREAD	MAX. FLOW (l/min)	FILTRATION DEGREE	€
FS-1-10-T125	3/8" BSP	15	125 μ	16,28
FS-1-11-T125	1/2" BSP	35	125 μ	16,56
FS-1-20-T125	3/4" BSP	52	125 μ	18,89
FS-1-21-T125	1" BSP	100	125 μ	19,76
FS-1-30-T125	1" BSP	125	125 μ	24,15
FS-1-31-T125	1"1/4 BSP	160	125 μ	23,55
FS-1-32-T125	1"1/2 BSP	180	125 μ	23,55
FS-1-33-T125	1"1/2 BSP	215	125 μ	26,56
FS-1-34-T125	2" BSP	280	125 μ	29,64
FS-1-40-T125	1"1/2 BSP	230	125 μ	40,67
FS-1-41-T125	2" BSP	270	125 μ	41,42
FS-1-42-T125	2"1/2 BSP	500	125 μ	45,09
FS-1-43-T125	3" BSP	500	125 μ	49,01

Filter in lijn medium druk compleet 40 bar

Medium-high pressure in line filter (Complete) 40 bar
Filtre en ligne moyenne-haute pression (Complet) 40 bar



Part n°	THREAD	MAX. FLOW (l/min)	FILTRATION DEGREE	€
F040DME0008P2	3/4" BSP	50	10 μ	229,77
F040DME0015P2	1"1/4 BSP	250	10 μ	321,65

Filter in lijn medium druk compleet 100 bar

Medium-high pressure in line filter (Complete) 100 bar
Filtre en ligne moyenne-haute pression (Complet) 100 bar



Part n°	THREAD	MAX. FLOW (l/min)	FILTRATION DEGREE	€
F100XD040G10AB4DSZ30	3/4" BSP	50	10 μ	406,07
F100XD100G10AB5DSZ30	1" BSP	120	10 μ	459,62
F100XD160G10AB6DSZ30	1"1/4 BSP	250	10 μ	611,73

Filter in lijn medium druk compleet 160 bar

Medium-high pressure in line filter (Complete) 160 bar
Filtre en ligne moyenne-haute pression (Complet) 160 bar



Part n°	THREAD	MAX. FLOW (l/min)	FILTRATION DEGREE	€
F160XD040G10AB4DSZ30	3/4" BSP	50	10 μ	375,12
F160XD100G10AB5DSZ30	1" BSP	120	10 μ	410,26
F160XD160G10AB6DSZ30	1"1/4 BSP	250	10 μ	643,98

Filters

Filters
Filtres

Filter in lijn medium - hoge druk (compleet) 280 bar



Medium-high pressure in line filter (Complete) 280 bar
Filtre en ligne moyenne-haute pression (Complet) 280 bar

Part n°	THREAD	MAX. FLOW (l/min)	FILTRATION DEGREE	€
F280D121G10AB5DSZ30	1" BSP	120	10μ	356,79
F280D140G10AB6DSZ30	1"1/4 BSP	250	10μ	712,11

Elementen voor drukfilter F040



Cartridges medium-high pressure for F040
Cartouches moyenne-haute pression pour F040

Part n°	SIZE	FILTRATION DEGREE	€
DMD0008E10B	40	10μ	66,79

Elementen voor drukfilter F100 en F160



Cartridges medium-high pressure for F100 and F160
Cartouches moyenne-haute pression pour F100 y F160

Part n°	SIZE	FILTRATION DEGREE	€
XD040G03A	40	3μ	66,08
XD040G06A	40	6μ	66,08
XD040G10A	40	10μ	65,72
XD100G03A	100	3μ	77,22
XD100G06A	100	6μ	77,22
XD100G10A	100	10μ	76,87
XD160G03A	160	3μ	94,33
XD160G06A	160	6μ	94,33
XD160G10A	160	10μ	93,19

Elementen voor drukfilter F280



Cartridges medium-high pressure for F280
Cartouches moyenne-haute pression pour F280

Part n°	SIZE	FILTRATION DEGREE	€
D121G03A	21	3μ	59,60
D121G06A	21	6μ	59,60
D121G10A	21	10μ	59,36
D140G03A	40	3μ	56,87
D140G06A	40	6μ	56,87
D140G10A	40	10μ	56,08

Filters

Filters
Filtres

Hoge drukfilter met elec. indicator 450 bar



High pressure in line filter (Complete with element and electrical indicator) 450 bar
Filtre en ligne haute pression (Complet avec cartouche et voyant optique) 450 bar

Part n°	THREAD	MAX. FLOW (l/min)	CARTRIDGE	FILTRATION DEGREE	€
FD110G06AB3DZ4	1/2" BSP	60	D1-10-G06A	6μ	408,32
FD110G06AB4DZ4	3/4" BSP	60	D1-10-G06A	6μ	447,84
FD110G10AB3DZ4	1/2" BSP	60	D1-10-G10A	10μ	408,32
FD110G10AB4DZ4	3/4" BSP	60	D1-10-G10A	10μ	447,84
FD130G06AB5DZ4	1" BSP	120	D1-30-G06A	6 μ	530,40
FD130G10AB4DZ4	3/4" BSP	160	D1-30-G10A	10 μ	530,40
FD130G10AB5DZ4	1" BSP	160	D1-30-G10A	10μ	530,40
FD131G03AB4DZ4	3/4" BSP	200	D-1-31-G03A	3μ	568,26

Element voor hogedruk filter



High pressure in line filter (Cartridge)
Filtre en ligne haute pression (Cartouche)

Part n°	SIZE	FILTRATION DEGREE	€
D1-10-G06A	10	6μ	40,75
D1-10-G10A	10	10μ	40,75
D1-30-G06A	30	6μ	57,24
D1-30-G10A	30	10μ	57,24
D-1-31-G03A	31	3μ	61,26

Filtermanometer



Coloured Pressure Gauge
Manomètre à couleurs

Part n°	SCALE (bar)	€
MFI CO 06	0-6	*

Vacuummeter



Coloured Vacuum Gauge
Vacuomètre à couleurs

Part n°	SCALE (bar)	€
MFI VA 01	-1-0	*