

## Afstandsbediening / Commande à distance



### **PTO-202**

**2 drukknoppen / 2 boutons à pousser**  
**IP67**  
**3 AAA alkaline batteries**  
**119x133x36mm**



### **PTO-204**

**4 drukknoppen / 4 boutons à pousser**  
**IP67**  
**3 AAA alkaline batteries**  
**119x133x36mm**

**Shift optie**  
**Shift option!**



### **PTO-206** **PTO-206S**

**6 drukknoppen met shift optie voor 10 functies**  
**6 boutons à pousser avec option shift pour 10 fonctions**  
**IP67**  
**3 AAA alkaline batteries**  
**119x133x36mm**



**Optional Display**

**OO-218**

**18 drukknoppen / 18 boutons à pousser**

**16 functies On/Off / 16 fonctions On/Off**

**IP67**

**4 AA alkaline batteries**

**LCD Display**

**231x79x31mm**

**PG-214**

**PG-210-J**

**15 functies / 15 fonctions**

**214 → 14 digitale / 1 proportioneel met On/Off**

**214 → 14 digital / 1 proportionnel avec On/Off**

**210-J → 8 digitale met dual axis joystick en On/Off**

**210-J → 8 digital avec dual axis joystick et On/Off**

**IP67**

**4 AA alkaline batteries**

**Cable Back-Up option**

**Joystick option**

**231x133x146mm**



**PG-214**



**PG-210-J**



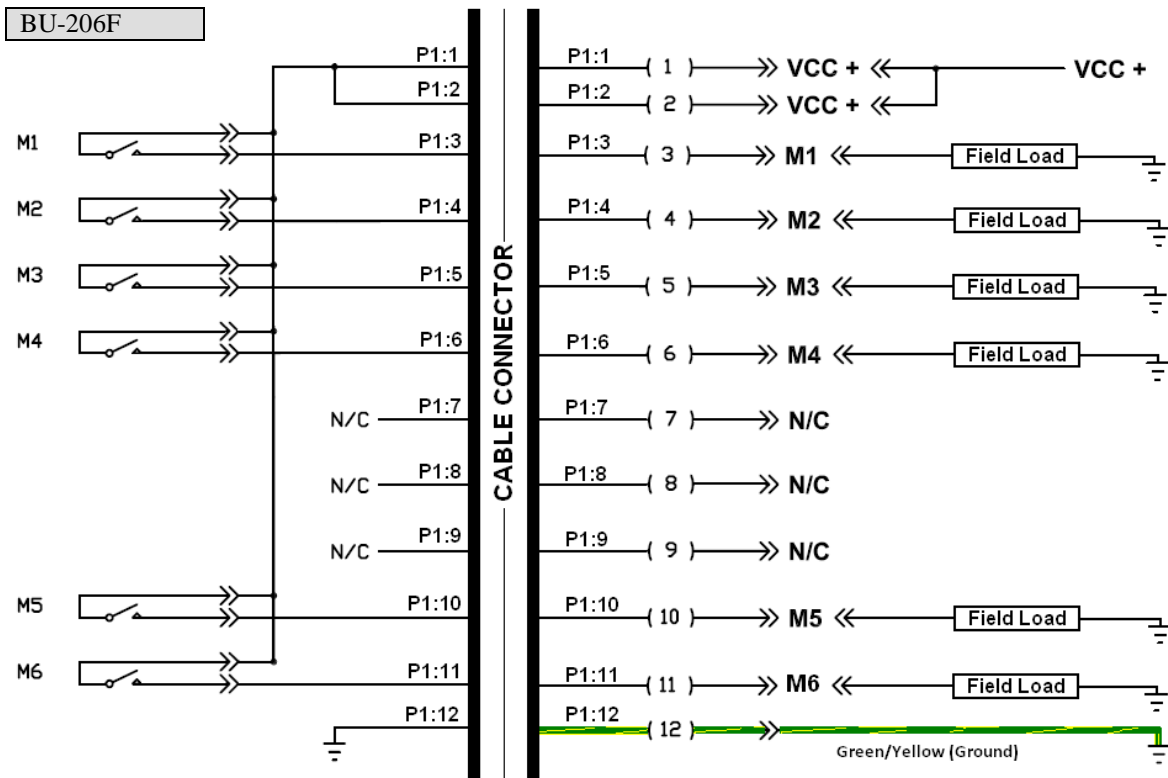


## 9-18V Ontvanger / Récepteur



### BU-206F-INT-12V

- Six function base unit
- Six inputs/outputs
- IP67 environmental rating
- Powered by 9-18V DC
- Antenna Internal
- Outputs PWM or switch to ground inputs
- Momentary, latching, interlocked outputs
- Power, Transmit/ Receive, Health and Output LEDs
- 119x113x36mm

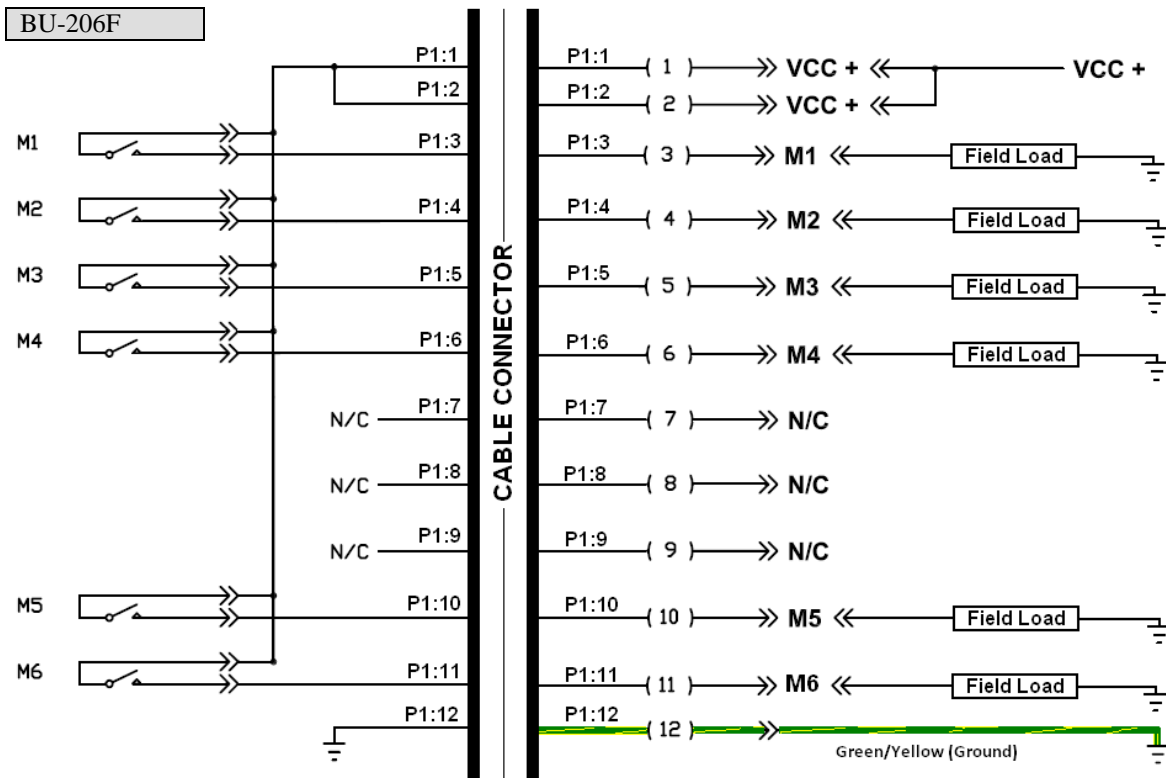


## 18-32V Ontvanger / Récepteur



### BU-206F-INT-24V

- Six function base unit**
- Six inputs/outputs**
- IP67 environmental rating**
- Powered by 18-36V DC**
- Antenna Internal**
- Outputs PWM or switch to ground inputs**
- Momentary, latching, interlocked outputs**
- Power, Transmit/ Receive, Health and Output LEDs**
- 119x113x36mm**

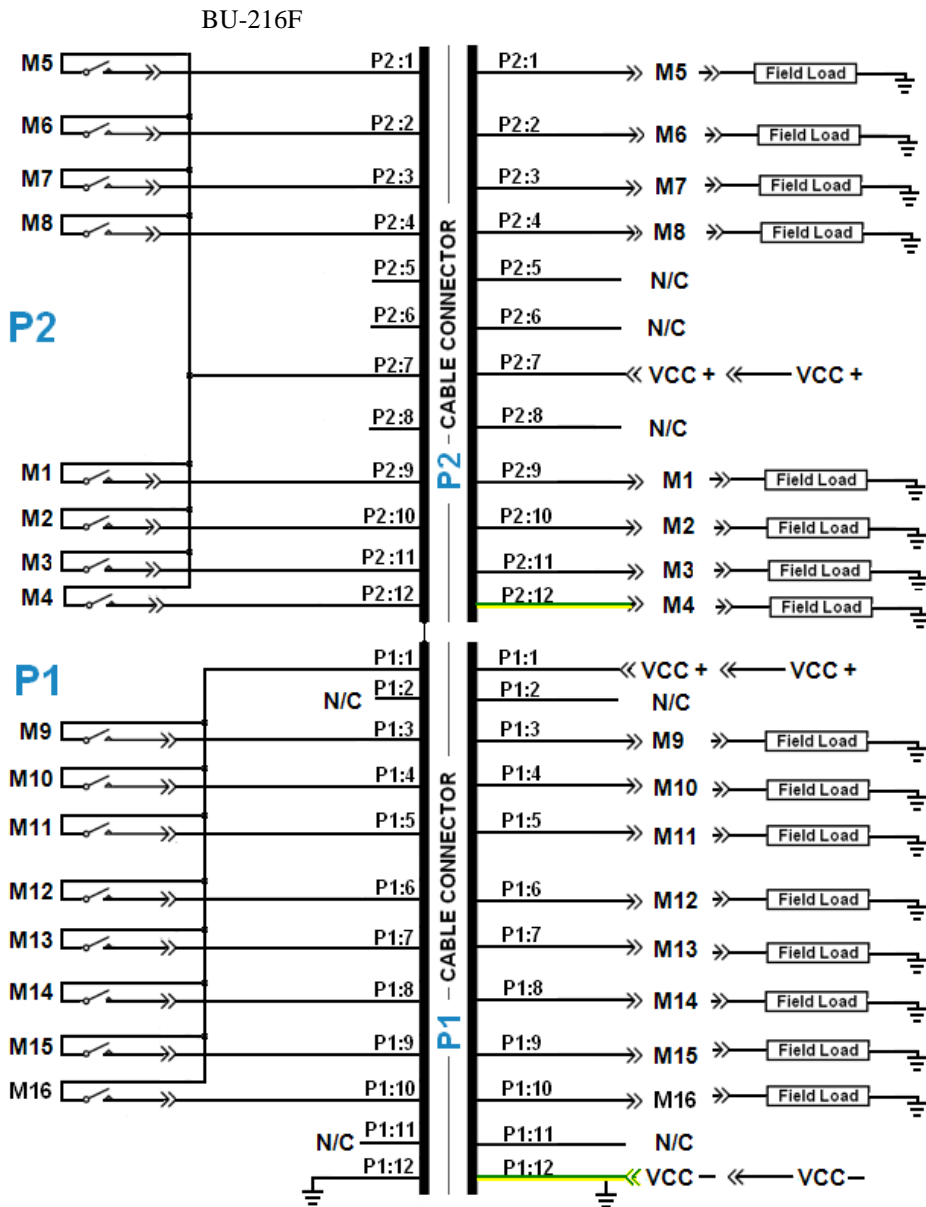


## 7-32V Ontvanger / Récepteur

### BU-216F-INT-24V



- Sixteen function base unit**
- Sixteen inputs/outputs**
- IP67 environmental rating**
- Powered by 7-32V DC**
- Antenna Internal**
- Outputs PWM or switch to ground inputs**
- Momentary, latching, interlocked outputs**
- Power, Transmit/ Receive, Health and Output LEDs**
- 119x113x36mm**



## Aansluitkabels / Cables de connection

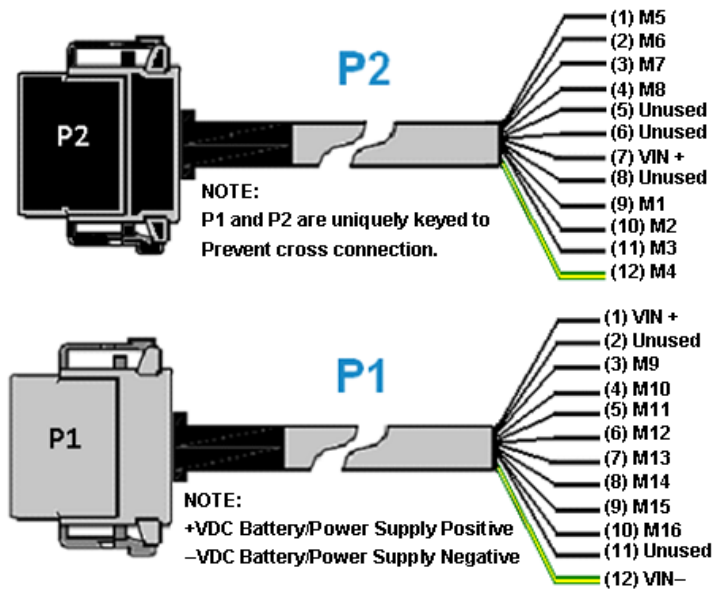
### HN-1001

### HN-1002

813mm in length

HN-1001 required for 206F and 216F models

HN-1002 required for 216F models



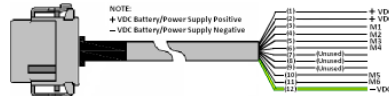


## Complete Systems 9-18VDC

**Part Number:**

**SmaRT202F-12V**

**Includes**

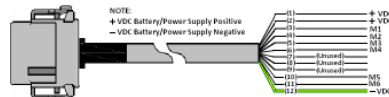


**PTO-202  
BU-206F-INT-12V  
HN-1001**

**Part Number:**

**SmaRT204F-12V**

**Includes**

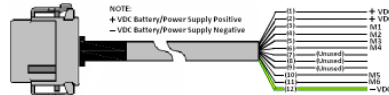


**PTO-204  
BU-206F-INT-12V  
HN-1001**

**Part Number:**

**SmaRT206F-12V**

**Includes**

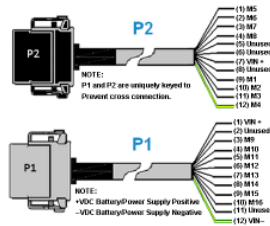


**PTO-206  
BU-206F-INT-12V  
HN-1001**

**Part Number:**

**SmaRT206FS-12V**

**Includes**



**PTO-206S  
BU-216F-INT-12V  
HN-1001  
HN-1002**

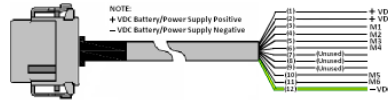


## Complete Systems 18-32VDC

**Part Number:**

**SmaRT202F-24V**

**Includes**

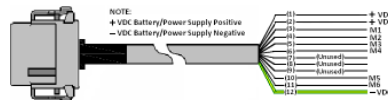


**PTO-202  
BU-206F-INT-24V  
HN-1001**

**Part Number:**

**SmaRT204F-24V**

**Includes**

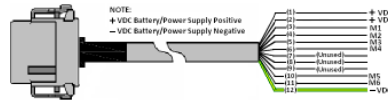


**PTO-204  
BU-206F-INT-24V  
HN-1001**

**Part Number:**

**SmaRT206F-24V**

**Includes**

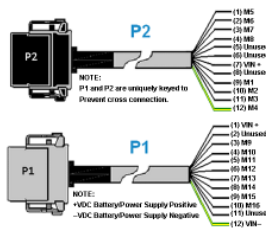


**PTO-206  
BU-206F-INT-24V  
HN-1001**

**Part Number:**

**SmaRT206FS-24V**

**Includes**



**PTO-206S  
BU-216F-INT-24V  
HN-1001  
HN-1002**

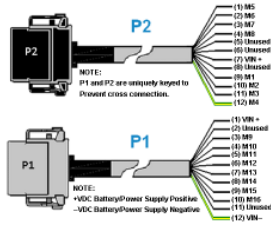


## Complete Systems

Part Number:



**SmaRT216PG-24V**



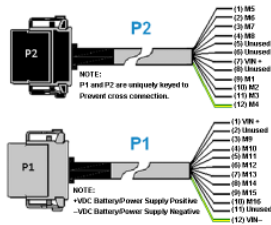
Includes

**PG-214  
BU-216F-INT-24V  
HN-1001  
HN-1002**

Part Number:



**SmaRT210JPG-24V**



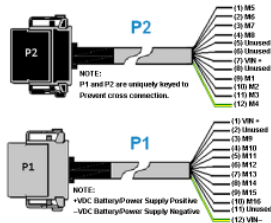
Includes

**PG-210-J  
BU-216F-INT-24V  
HN-1001  
HN-1002**

Part Number:



**SmaRT216CBLV-24V**



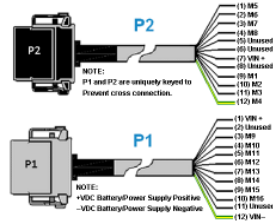
Includes

**CB-LV900  
BU-216F-INT-24V  
HN-1001  
HN-1002**



**Part Number:**

**SmaRT218-24V**



**Includes**  
**OO-218**  
**BU-216F-INT-24V**  
**HN-1001**  
**HN-1002**

**Provides 18 digital outputs**